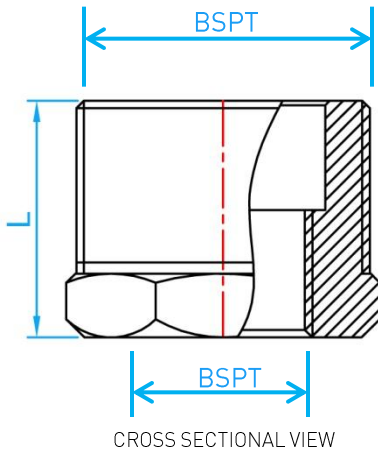
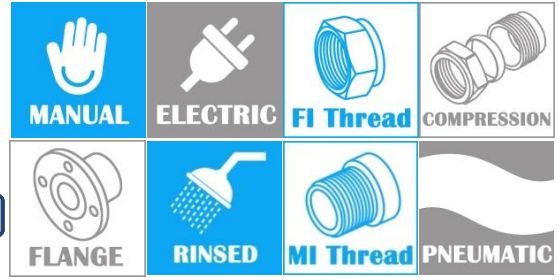


STAINLESS STEEL 304 THREADED FITTINGS

REDUCING BUSH

COMPLY WITH BSEN1254-2:1998
AS/NZS 4020:2018



DIMENSIONS

SKU	SIZE (inch)	L (mm)	WEIGHT (kg)	PCS/CTN
SS304RB01506	1/2" x 1/8"	22	0.0360	1200
SS304RB01508	1/2" x 1/4"	22	0.0347	1200
SS304RB01510	1/2" x 3/8"	22	0.0341	1200
SS304RB02015	3/4" x 1/2"	26	0.0482	600
SS304RB02515	1" x 1/2"	27	0.0800	300
SS304RB02520	1" x 3/4"	27	0.0702	400
SS304RB03515	1 1/4" x 1/2"	30	0.1285	200
SS304RB03520	1 1/4" x 3/4"	30	0.1388	200
SS304RB03525	1 1/4" x 1"	30	0.1088	200
SS304RB04215	1 1/2" x 1/2"	31	0.1726	150
SS304RB04220	1 1/2" x 3/4"	31	0.1754	150
SS304RB04225	1 1/2" x 1"	31	0.1749	150
SS304RB04235	1 1/2" x 1 1/4"	31	0.1203	150
SS304RB05015	2" x 1/2"	33	0.2455	96
SS304RB05020	2" x 3/4"	33	0.2530	96
SS304RB05025	2" x 1"	33	0.2462	96
SS304RB05035	2" x 1 1/4"	33	0.2610	96
SS304RB05042	2" x 1 1/2"	33	0.2276	96
SS304RB06525	2 1/2" x 1"	41	0.4917	60
SS304RB06535	2 1/2" x 1 1/4"	39	0.6000	60
SS304RB06542	2 1/2" x 1 1/2"	39	0.5670	60
SS304RB06550	2 1/2" x 2"	39	0.4377	60
SS304RB08015	3" x 1/2"	33	0.482	30
SS304RB08020	3" x 3/4"	33	0.472	30
SS304RB08025	3" x 1"	33	0.465	30
SS304RB08042	3" x 1 1/2"	44	0.8610	30
SS304RB08050	3" x 2"	44	0.5750	30
SS304RB08065	3" x 2 1/2"	44	0.5493	30
SS304RB10025	4" x 1"	48	0.088	18
SS304RB10035	4" x 1 1/4"	48	0.088	18
SS304RB10042	4" x 1 1/2"	50	1.6230	18
SS304RB10050	4" x 2"	48	1.0330	18
SS304RB10065	4" x 2 1/2"	48	1.0180	18
SS304RB10080	4" x 3"	48	1.0950	18